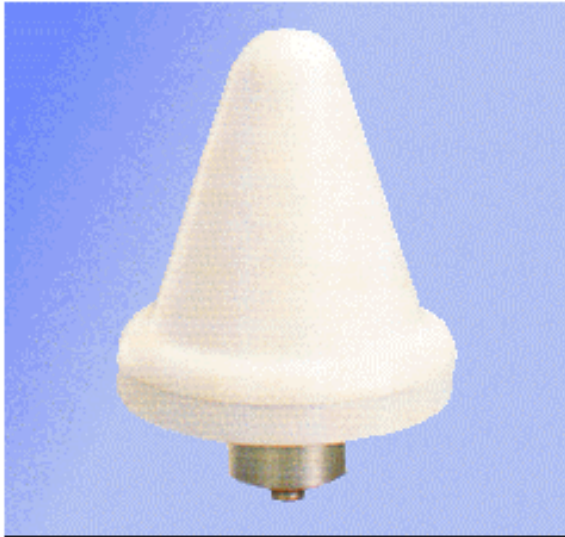


# VIC-100 Timing Antenna



## Electrical Specifications:

Power supply	• 5 ± 0.5 VDC
Current	• 20 mA (typ), 27 mA (max)

## Physical Specifications:

Dimensions	• Diameter: 90 mm (3.54 inch) • Height (less connector): 98.4 mm (3.83 inch)
Weight	• 300 g
Mounting Method	• TNC 1.0 inch x 14UNS-2A thread • N 1.25 Inch Pipe Mount
Color	• White

## General Description:

- High performance active antenna
- Vertical cable feed
- Easy installation
- Triple filtering for high EMI environments

## General Specifications:

Operating Frequency	• 1575.42 ± 1.023 MHz (typ)
Antenna Element	• Gain: 3.0 dBi (typical) -10 dBi mm. at 0 degrees elevation • Axial ratio: 3 dB (typical)
Filtering	• 60 dB (typ) @ 1575.4 ± 50MHz
Gain	• Gain: 30 dB (mm) • N.F.: 2.2 dB (max)
Polarization	• Right hand circular
Output VSWR	• 1.5 (typ) 2.5 (max)

## Environmental Specifications:

Temperature	• Operational: -40° C to + 85° C • Storage: ~45° C to + 90° C
Humidity	• 40 to 95% RH (below Dew Point)

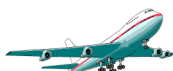
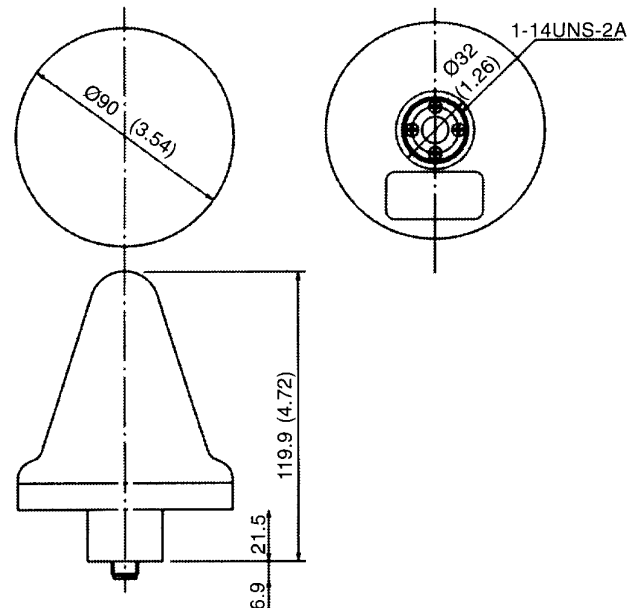


VIC100TNC  
w/ TNC Connector

VIC100NMNT  
w/ N connector

VIC100NMNT  
w/ N connector

## Dimensional Drawing (TNC):



**CNS Systems, Inc.**  
Communication, Navigation and Surveillance

CNS Systems, Inc.  
363 Hawick Court  
Severna Park, MD 21146-1409

Telephone: (410) 987-7835  
Fax: (410) 987-7836  
E-mail: rick@cnsys.com  
Web: <http://www.cnsys.com/>